



KGS-1060, KGS-1060-HP



*Security Upgrade
with TLS 1.2/1.3*

Product Highlights:

- Web, telnet, SNMP managed
- IPv6 support
- SFP dual speed support
- SFP DDM support
- Four 802.3at PoE PSE ports
- RSTP, STP, MSTP support
- Multi redundant ring support
- IGMP & MLD snooping
- High power saving
- 802.3az EEE support
- HTTPS with TLS 1.2/1.3 support

Ordering Information:

Part#	Description
KGS-1060	Model with PD support and no PSE function
KGS-1060-HP	Model with four PSE ports
KSD-8PB	Panel mounting kit
KPW-300T	300W Power supply for PoE & PoE+ applications

EMI EMS Safety Environmental Tests:

Test	Standard	Specifications
FCC/EMI	FCC Rule Part 15	Class A
CE/EMC/EMI	EN 61000-6-4	Class A
CE/EMC/EMS	EN 61000-6-2	
ESD Test	IEC 61000-4-2	Air: +/-4KV Contact: +/-8KV
RS Test	IEC 61000-4-3	Strength: 10V/m
EFT/BURST	IEC 61000-4-4	DC IN: +/-0.5KV Signal: +/-1KV
Surge Immunity	IEC 61000-4-5	DC IN: +/-0.5KV Signal: +/-1KV
CS Test	IEC 61000-4-6	Level 3
Magnetic Field Imm.	IEC 61000-4-8	50/60Hz 100A/m
Safety	IEC 60950-1	
Dielectric Voltage	IEEE 802.3	TP, 1500VAC/60sec.
Insulation Resistance	IEEE 802.3	TP, 500VDC/10Mohm
Cold Test	IEC 60068-2-1 Ad	-40°C, 72hrs
Dry Heat Test	IEC 60068-2-2 Bd	+75°C, 30%RH, 72hrs
Damp Heat Test	IEC 60068-2-3 Ca	+75°C, 95%RH, 72hrs
Storage Test	IEC 60068-2-48	-40°C, 96hrs +85°C, 30%RH, 96hrs +85°C, 30%RH, 96hrs
Vibration Test	IEC 60068-2-64 Fh	10-200Hz, 0.1g ² /Hz 200-500Hz, 0.03g ² /Hz
Shock test	IEC 60068-2-27 Ea	50G
NEMA TS2 Vibration test	NEMA TS2-2003 Proc. 2.2.8	5-30Hz, 0.5g x/y/z, 1hr/axis
NEMA TS2 Shock test	NEMA TS2-2003 Proc. 2.2.9	10G
NEMA TS2 Environment test	NEMA TS2-2003 Proc. 2.2.7	Temp: -34°C--74°C Humid: 0%-90%
NEMA TS2 Vibration test	NEMA TS2-2003 Proc. 2.2.8	25°C/55°C, 95%RH 24hrs, 2 cycles

Industrial Managed 10-Port L2 Gigabit Ethernet Switches with 2 dual-speed SFP Slots and 4 PoE+ PSE Ports

Key Features:

- Eight 10/100/1000Mbps RJ-45 and two dual-speed SFP slots
- All copper ports support auto-negotiation and auto-MDI/MDI-X detection.
- All copper ports are equipped with IEEE 802.3at-compliant PoE PSE
- Full wire speed forwarding
- Support 802.3x flow control for full-duplex and backpressure for half-duplex
- Port link aggregation function with LACP support
- Support SFP with Digital Diagnostic Monitoring (DDM)
- Alternatively powered via PoE if direct DC power not available
- Optional four 802.3at-compliant PoE PSE ports
- Support PoE PSE Redundancy

Management Features:

- Management:
 - HTTP/HTTPS/SSHv2/CLI telnet/CLI console/SNMP v1/v2c/v3/RMON
 - DHCP/DHCPv6 client, DHCP relay, DNS client. NTPv4
 - IPv6 support, System Syslog, Configuration down/upload, Software upload
 - HTTPS with TLS 1.2/1.3 support

- Security:
 - NAS, 802.1X, MAC-based/Web/CLI authentication, TACACS+, IP source guard

- Layer 2:
 - 802.1Q/MAC-based/Protocol-based/Private/IP subnet VLAN, Port Isolation
 - Storm control for UC/MC/BC packets, Static MAC configuration
 - IGMP v2/v3 snooping, MLD v1/v2 snooping, DHCP snooping, Port mirroring
 - Multiple Spanning Tree – MSTP, RSTP, STP
 - QoS - 8 QoS classes, Tag-based & DSCP-based classification

- KTI's Auto Multi-Ring (KAMR) Technology:
 - Fast failover response time, Auto recovery when failure is repaired
 - Support up to five redundant rings, Works with RSTP network

Specifications:

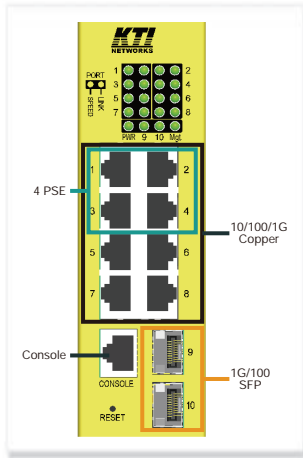
Standard	IEEE 802.3, 802.3ab, 802.3z, 802.3x, 802.3at, 802.1x, 802.1w, 802.1D, 802.1Q
Network Ports	8 10/100/1000Mbps Gigabit copper ports , 2 1G/100Mbps SFP slots
Copper Port	Shielded RJ-45, 10/100/1000Mbps, auto-negotiation, auto-MDI/MDI-X
Mini-GBIC SFP	SFP connector, Interface: 1000BASE-X and 100BASE-FX support
Console	Connector: Shielded RJ-45, Interface: RS-232
Network Cables	10/100/1000Mbps copper: Cat.5, 5e or higher up to 100m 1000Base-X: 62.5/125µm, 50/125µm MM fiber, 9/125µm SM fiber



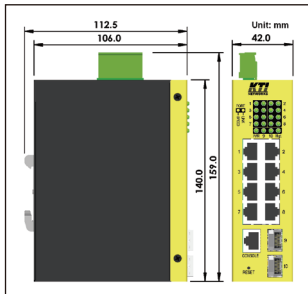
Polarity Reversal Protection :

Model	Polarity Reversal shutdown
KGS-1060-HP (Rev A1)	Yes
KGS-1060	No

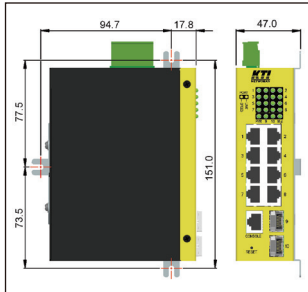
KGS-1060-HP Ports



Din-rail Mount Dimension



Panel & Wall Mount Dimension



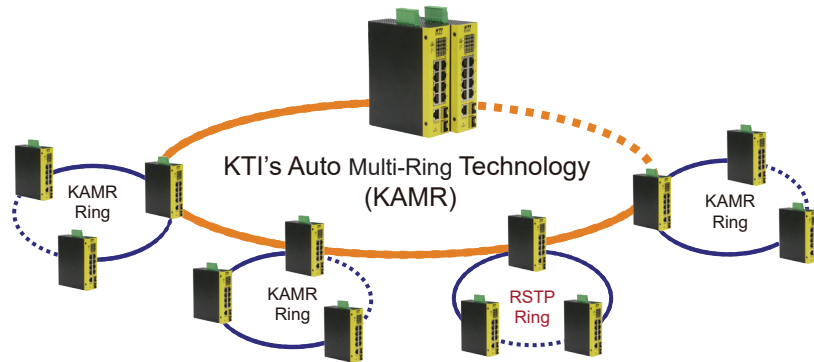
Katron Technologies Inc.
 15F-7, No. 79, Sec. 1, Hsin Tai Wu Rd.,
 Hsi-chih District, New Taipei City, Taiwan
 Tel: 886-2-2698-3878
 Fax: 886-2-2698-3873
 E-mail: kti@ktinet.com.tw
 URL: http://www.ktinet.com.tw

Trademarks: All brand names are trademarks or registered trademarks of their respective holders. This information is subject to change without prior notice.

Power over Ethernet	IEEE 802.3at compliant (High power PoE) PSE on Port 1 ~ Port 4 30W max. at port output for Cat.5 distance of 100 meters
MAC Addresses	8K
LED Indication	Per unit: Power, Management status Per port: Speed, link/activity status Per SFP: Speed/link/activity status Per PoE port: PoE status
Relay Output	Alarm: power failure, specific port link fault Interface: 2 terminal contacts (30VDC/1A max. or 120VAC/0.5A max.)
DC Power Input	Screwed terminal block: 2 pairs of +/- contacts Operating voltage range: +7 ~ +60VDC Voltage for PoE support: +45 ~ +57VDC Polarity reversal shutdown protection (Supported on KGS-1060-HP Rev A1)
Powered via PoE	PD port: Port 2, IEEE 802.3af & 802.3at compliant Class 3 (only KGS-1060)
Power Consumption	9W max. (Full load with no PoE support) 130W max. (Full load with 4 PoE+ max. output)
Housing	Enclosed metal with no fan
Dimension	42 x 106 x 140 mm (WxDxH)
Mounting Support	DIN-Rail, Wall, Panel Mounting (Optional)
Environment	Operating Temperature: -40°C ~ 70°C* Storage Temperature: -40°C ~ 85°C Relative Humidity: 5% ~ 95% non-condensing
Approval	FCC Class A, VCCI Class A, CE mark Class A, IEC 60950-1 safety EN 61000-6-4 emission, EN 61000-3-2, EN 61000-3-3, EN 61000-6-2 Immunity for industrial environment, IEC 60068-2-64 Vibration, IEC 60068-2-27 Shock 50G test, NEMA TS2 environment

*60°C ~ 70°C with 1m/s air flow

Multiple Redundant Rings:



Application:

